



# T & U



**FG25T 5000 lb. LPG**  
**FD25T 5000 lb. Diesel**

**Truck  
Specifications**

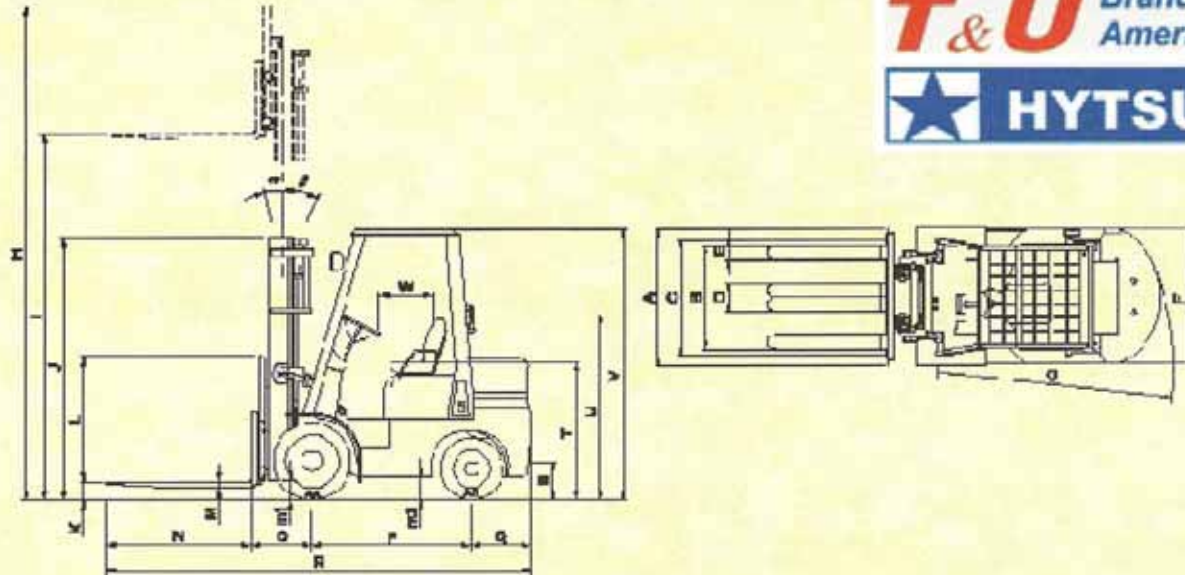


Continuing the tradition of reliable forklift manufacturing and workmanship, Hytsu is proud to produce one of the best lines of material handling equipment available to the industry today.

**HYTSU GROUP**  
HYTSU Hong Kong Limited  
Tel: 86-021-58690003

## **HYTSU NORTH AMERICA**

GLOBAL PRODUCTS LTD.  
N118 W19328 Bunsen Drive Germantown, WI 53022  
Phone (262) 255-2261 Fax (262) 255-4190



<b>DIMENSIONS (in.)</b>				<b>MAIN SPECIFICATIONS</b>			
		<b>LPG</b>	<b>Diesel</b>			<b>LPG</b>	<b>Diesel</b>
<b>Item</b>	<b>Model</b>	<b>FG25T</b>	<b>FD25T</b>	<b>Item</b>	<b>Model</b>	<b>FG25T</b>	<b>FD25T</b>
Capacity	lbs	5000	5000	Load (lbs)		5000	5000
Load center	in	24	24	Load Center (in.)		24	24
Overall width	A	45.3	45.3	Mast tilting range (deg)	Front	6	6
Outside width between forks	B	41	41		Rear	12	12
Front wheels tread	C	44	44	Lifting speed (FPM)	No load	114	114
Width of two forks	D	9.6	9.6		Full load	108	108
Width of one fork	E	4.8	4.8	Lowering speed (FPM)	No load	108	108
Rear wheels tread	F	44	44		Full load	88	88
Min. turning radius. Outside	G	88	88	Travel speed (MPH)	No load	11.4	11.4
Max height overall	H	169/178	169/178		Full load	10.2	10.2
Max. fork height	I	130	130	Gradeability (deg)	No load	25	25
Height of mast	J	84	84		Full load	25	25
Free lift	K	6	6	Net weight (lbs)		8260/8084	8370/8131
Height of load backrest	L	39/48	39/48	Max. drawbar pull (lbs)		3744/3634	3744/3634
Max. thickness of fork	M	1.6	1.6	<b>Standard features include:</b>			
Length of fork	N	42	42	Automatic transmission with trans cooler, 3rd valve and handle, high air intake, class II carriage with six roller bearings, headlights, back-up & brake lights, and turn signals			
Distance between front and center of wheel	O	21	21	<b>Engine Options:</b>			
Wheel Base	P	63	63	LPG	Mitsubishi	4G64	57 HP
Distance between counter-weight and center of rear wheel	Q	20.5	20.5	Diesel (std.)	Isuzu	C240	47 HP
Overall length	R	146.5	146.5	Diesel (opt.)	Isuzu	4JG2	61 HP
Ground At lowest point	m1	4.3	4.3	Specifications are subject to improvements and changes without notice			
Clearance Center of wheelbase	m2	6.0	6.0	In effect 08/08			
Seat height	T	42	42				
Height of steering wheel	U	58	58				
Height of overhead guard	V	82.5	82.5				
Dimension of front wheel	AA	7.00-12-12 P.R. (Pneumatic)					
Dimension of rear wheel	AB	6.00-9-10 P.R. (Pneumatic)					

Contact Dealer for Additional Options including Masts, Cabs, Side shifters, Forks, Tires, Attachments, Etc.

## HYTSU NORTH AMERICA

GLOBAL PRODUCTS LTD.  
 N118 WI9328 Bunsen Drive Germantown, WI 53022  
 Phone (262) 255-2261 Fax (262) 255-4190

**HYTSU GROUP**  
**HYTSU Hong Kong Limited**  
 Tel: 86-021-58690003