



T & U



FE20SF 4000 lb. 4 Wheel Electric

**Truck
Specifications**

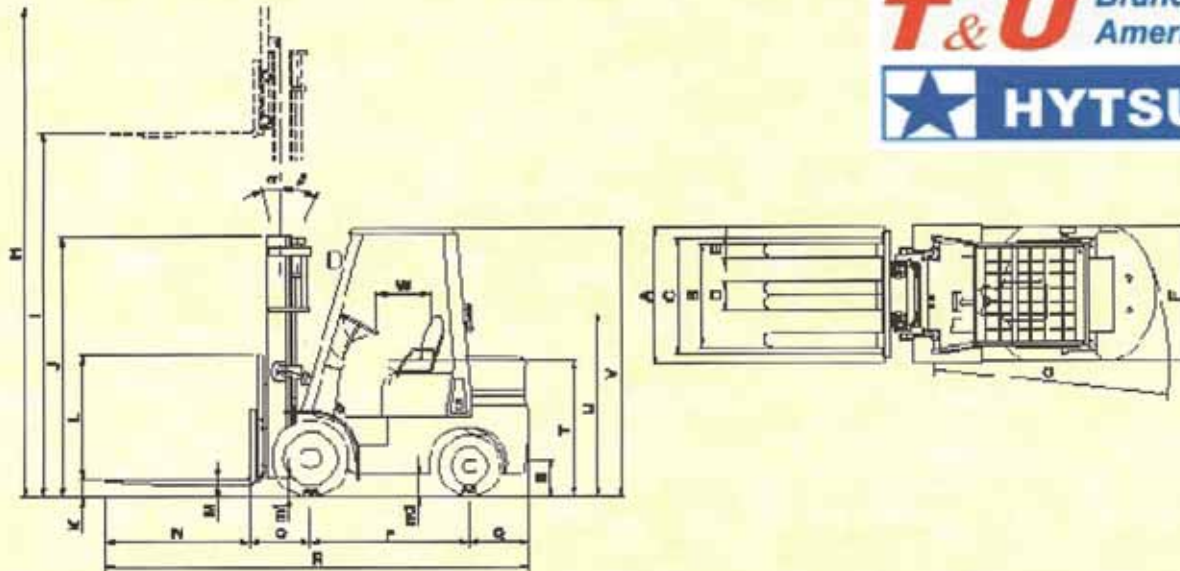


Continuing the tradition of reliable forklift manufacturing and workmanship, Hytsu is proud to produce one of the best lines of material handling equipment available to the industry today.

HYTSU GROUP
HYTSU Hong Kong Limited
Tel: 86-021-58690003

HYTSU NORTH AMERICA

GLOBAL PRODUCTS LTD.
N118 W19328 Bunsen Drive Germantown, WI 53022
Phone (262) 255-2261 Fax (262) 255-4190



DIMENSIONS

AC Electric

MAIN SPECIFICATIONS

AC Electric

Item	Model	FE20SF
Capacity	lbs	4000
Load center	in	24
Overall width	A	43
Outside width between forks	B	37
Front wheels tread	C	41
Width of two forks	D	9.6
Width of one fork	E	4.8
Rear wheels tread	F	41
Min. turning radius. Outside	G	78
Max height overall	H	170/178
Max. fork height	I	130
Height of mast	J	84
Free lift	K	5
Height of load backrest	L	40/48
Max. thickness of fork	M	1.6
Length of fork	N	42
Distance between front and center of wheel	O	14.5
Wheel Base	P	53.5
Distance between counter-weight and center of rear wheel	Q	13
Overall length	R	123
Ground At lowest point	m1	3.9
Clearance Center of wheelbase	m2	3.9
Seat height	T	42
Height of steering wheel	U	54
Height of overhead guard	V	79
Dimension of front wheel	AA	200/50-10
Dimension of rear wheel	AB	16x6-8

Item	Model	FE20SF
Load (lbs)		4000
Load Center (in.)		24
Mast tilting range (deg)	Front	6
	Rear	12
Lifting speed (FPM)	No load	90
	Full load	80
Lowering speed (FPM)	No load	77.5
	Full load	86.5
Travel speed (MPH)	No load	8.7
	Full load	8.1
Gradeability (deg)	No load	20
	Full load	20
Net weight (lbs)		7823/7647
System		48 Volt AC

Standard features include:

SME controls, hydraulic power steering, cushion or solid pneumatic tires, headlights, back-up & brake lights, and turn signals

Lift Motor AC	12 kw
Drive Motor (2) AC	6.5 kw
Battery:	48V/570

Specifications are subject to improvements and changes without notice

In effect 08/08

Contact Dealer for Additional Options including Masts, Cabs, Side shifters, Forks, Tires, Attachments, Etc.

HYTSU NORTH AMERICA

GLOBAL PRODUCTS LTD.

NI18 WI9328 Bunsen Drive Germantown, WI 53022

Phone (262) 255-2261 Fax (262) 255-4190

HYTSU GROUP

HYTSU Hong Kong Limited

Tel: 86-021-58690003